

EP Series Hose Pumps

Positive Displacement Hose Pumps



Ordering Information and Technical Specifications

1. Choose your pump speed to meet your flow requirements.
2. Choose your hose and hose barb material to meet your application requirements.

1	Model	EP2006		EP2013		EP3019		EP4029		
	Pump Speed Range		157:1 (Low)	51.3:1 (Mid)	157:1 (Low)	35.1:1 (Mid)	100.4:1 (Low)	35.9:1 (Mid)	79.7:1 (Low)	34.3:1 (Mid)
Pump Speed @ 60 Hz - rpm		11	35	11	51	18	50	23	52	91
Flow Rate @ 10 Hz - gpm (lpm)		0.00765 (0.02)	0.0235 (0.08)	0.0305 (0.11)	0.137 (0.51)	0.144 (0.54)	0.4 (1.51)	0.565 (2.13)	1.31 (4.95)	2.275 (8.61)
Flow Rate @ 60 Hz - gpm (lpm)		0.046 (0.17)	0.14 (0.52)	0.17 (0.64)	0.82 (3.1)	0.86 (3.2)	2.4 (9.0)	3.4 (12.8)	7.9 (29.9)	13.7 (51.8)

2	Natural Rubber Hose	316 SST Barb	24L104	24L118	24L188	24L202	24L546	24L560	25L028	25L042	25L056
		Hastelloy-C Barb	N/A	N/A	N/A	N/A	N/A	N/A	N/A	N/A	N/A
Nitrile Hose	317 SST Barb	24L107	24L121	24L191	24L205	24L549	24L563	25L031	25L045	25L059	
	Hastelloy-C Barb	24L108	24L122	24L192	24L206	24L550	24L564	25L032	25L046	25L060	
EPDM Hose	318 SST Barb	24L100	24L114	24L184	24L198	24L542	24L556	25L024	25L038	25L052	
	Hastelloy-C Barb	24L101	24L115	24L185	24L199	24L543	24L557	25L025	25L039	25L053	
CSM Hose	319 SST Barb	24L105	24L119	24L189	24L203	24L547	24L561	25L029	25L043	25L057	
	Hastelloy-C Barb	24L106	24L120	24L190	24L204	24L548	24L562	25L030	25L044	25L058	

2	Natural Rubber Hose Hose not installed	316 SST Barb	24L374	24L388	24L458	24L472	24L630	24L644	25L094	25L108	25L122
		Hastelloy-C Barb	N/A	N/A	N/A	N/A	N/A	N/A	N/A	N/A	N/A
Nitrile Hose Hose not installed	317 SST Barb	24L377	24L391	24L461	24L475	24L633	24L647	25L097	25L111	25L125	
	Hastelloy-C Barb	24L378	24L392	24L462	24L476	24L634	24L648	25L098	25L112	25L126	
EPDM Hose Hose not installed	318 SST Barb	24L370	24L384	24L454	24L468	24L626	24L640	25L090	25L104	25L118	
	Hastelloy-C Barb	24L371	24L385	24L455	24L469	24L627	24L641	25L091	25L105	25L119	
CSM Hose Hose not installed	319 SST Barb	24L375	24L389	24L459	24L473	24L631	24L645	25L095	25L109	25L123	
	Hastelloy-C Barb	24L376	24L390	24L460	24L474	24L632	24L646	25L096	25L110	25L124	

Maximum Working Pressure	125 psi (8.6 bar)	125 psi (8.6 bar)	125 psi (8.6 bar)	125 psi (8.6 bar)
Flow - gallon/rev (liter/rev)	0.004 (0.015)	0.016 (0.060)	0.048 (0.182)	0.15 (0.568)
Motor Power	.5 Hp	.75 Hp	1.5 Hp	2.0 Hp
Hose Diameter	6 mm	13 mm	19 mm	29 mm
Pump Inlet / Outlet Size	1/2 inch male NPT	1/2 inch male NPT	3/4 inch male NPT	1-1/4 inch male NPT
Maximum Viscosity	2500 cps	2500 cps	2500 cps	2500 cps
Maximum Suction Lift - ft (m)	29 (8.9)	29 (8.9)	29 (8.9)	29 (8.9)
Operation Manual	3A1938	3A1938	3A1938	3A1938
Repair Parts Manual	3A1940	3A1940	3A1939	3A1939

EP Series Hose Pumps

Ordering & Mounting Information

Hose Pumps with No Motor Drive

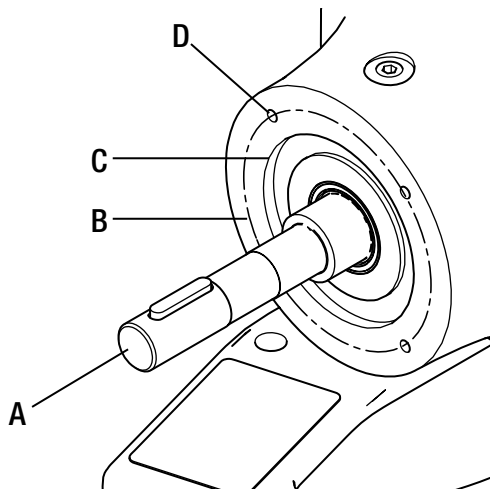
Fully assembled pumps with customer supplied motor drive

Hose Material	Hose Barb Material	EP2006	EP2013	EP3019	EP4029
Natural Rubber	316 SST	24M739	24M767	24M795	24M820
	Hastelloy-C				
Nitrile	316 SST	24M742	24M770	24M798	24M823
	Hastelloy-C	24M743	24M771	24M799	24M824
EPDM	316 SST	24M735	24M763	24M791	24M816
	Hastelloy-C	24M736	24M764	24M792	24M817
CSM	316 SST	24M740	24M768	24M796	24M821
	Hastelloy-C	24M741	24M769	24M797	24M822

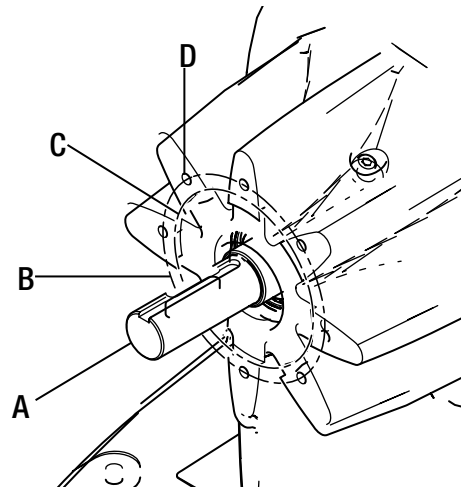
Mounting a Non-Graco Motor

To mount a non-Graco motor and gearbox to a bare EP Hose Pump

EP Series Pump Size	Hollow Bore Shaft Diameter A	Bolt Circle Diameter B	Flange Pilot Diameter C	Mounting Hole Thread Size D
EP2	20 mm	100 mm	80 mm	M6
EP3	30 mm	130 mm	110 mm	M8
EP4	35 mm	165 mm	130 mm	M10



Motor mounting dimensions for EP2 Pumps



Motor mounting dimensions for EP3 & EP4 Pumps

Kits and Replacement Hoses Ordering Information

VFDs (Variable Frequency Drives)

Hp	Input Voltage	Output Voltage	Used with Pump	Part Number
0.5	120 or 240 VAC (1 Phase)	240 VAC (3 Phase)	EP2	16K905
0.5	208-240 VAC (1 or 3 Phase)	208-240 VAC (3 Phase)	EP2	16K906
1	120 or 240 VAC (1 Phase)	240 VAC (3 Phase)	EP2	16K907
1	208-240 VAC (1 or 3 Phase)	208-240 VAC (3 Phase)	EP2	16K908
1.5	120 or 240 VAC (1 Phase)	240 VAC (3 Phase)	EP2	16K909
1.5	208-240 VAC (1 or 3 Phase)	208-240 VAC (3 Phase)	EP3	16K910
2	208-240 VAC (1 or 3 Phase)	208-240 VAC (3 Phase)	EP4	16K911
2	400-480 VAC (3 Phase)	400-480 VAC (3 Phase)	EP4	16K912

Replacement Hose Kits*

	EP2006	EP2010	EP2013	EP3016	EP3019	EP4025	EP4029
Natural Rubber	24K482	24K492	24K502	24K522	24K532	24K542	24K552
Nitrile	24K484	24K494	24K504	24K524	24K534	24K544	24K554
EPDM	24K483	24K493	24K503	24K523	24K533	24K543	24K553
CSM	24K487	24K497	24K507	24K527	24K537	24K547	24K557

*Includes 2 clamps

Hose Pump Lubricant

Description	Part Number
Glycerin Based Hose Lube (1 quart)	24K692
Glycerin Based Hose Lube (1 gallon)	24K694
Glycerin Based Hose Lube (55 gallon drum)	24M435
Silicone Based Hose Lube (1 gallon)	24K686
Silicone Based Hose Lube (55 gallon drum)	24M434

EP2 requires 8 oz (250 mL) of hose lube; EP3 requires 1 qt (1 l) of hose lube; EP4 requires 1/2 gallon (2 l) of hose lube
Factory fill is glycerin, shipped in a separate bottle

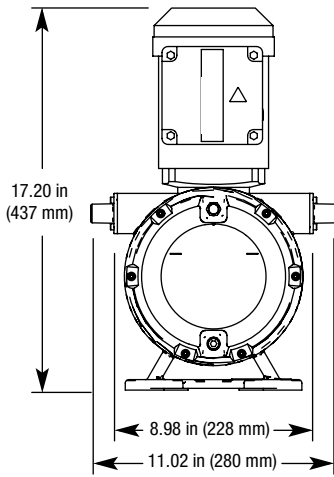
Other

Description	Part Number
"Band-It" Clamp Tool	24L497

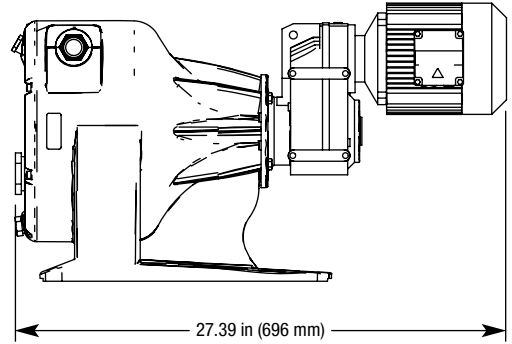
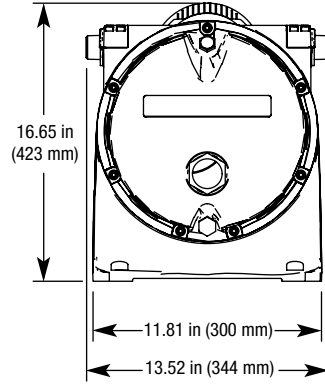
EP Series Hose Pumps

Dimensions

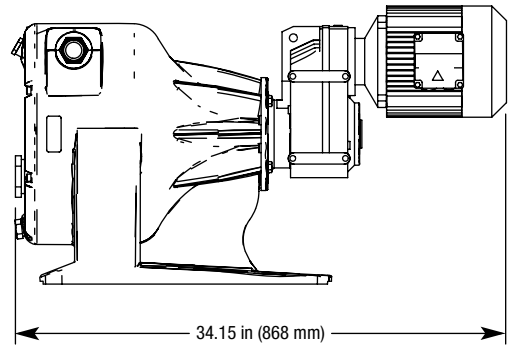
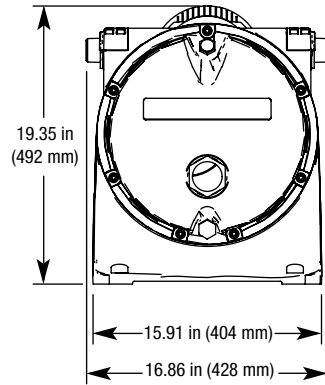
EP2 Hose Pumps



EP3 Hose Pumps



EP4 Hose Pumps



Legacy Pumps & Instruments LLC

PO Box 426, Mineral Wells, TX 76068-0426

Phone 214-384-5303 or 817-793-0485

www.legacypumpsllc.com