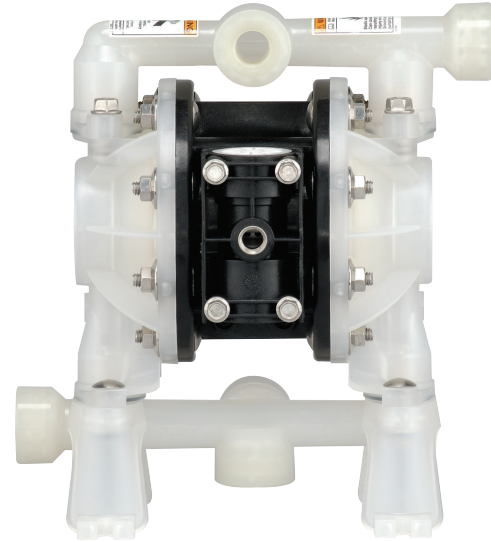


1/2" Non-Metallic Models OEM / Transfer Pumps

1/2" Non-Metallic Performance Specifications

Ratio:	1:1		
Maximum GPM (LPM):	14.4 (54.5)		
Displacement per cycle Gallons (Liters):	0.039 (.15)		
Air Inlet (Female):	1/4 -18 P.T.F. SAE SHORT		
Fluid Inlet/Outlet:	1/2 - 14 N.P.T.F. - 1 1/2 -14 BSP, parallel		
Max. operating pressure psi (bar):	100 (6.9)		
Suspended solids max. dia. in. (mm):	3/32" (2.4)		
Weight lbs (kg):	PD05P-XDS-XXX-B	6.28 (2.85)	
	PD05P-XES-XXX-B	6.67 (3.03)	
	PD05P-XKS-XXX-B	6.78 (3.08)	
	PD05P-XLS-XXX-B	7.24 (3.28)	
	PD05P-XPS-XXX-B	5.21 (2.36)	
	PD05P-XRS-XXX-B	5.44 (2.47)	
	Note: PE05P-XXS-XXX-B0S, subtract 0.42 (0.19)		
Maximum dry suction lift ft (m):	15.0 (4.5) PTFE 13.5 (4.1) Santoprene		
Sound Level:	PSI	Cycles / Min	db(A)
	70	60	71.0



Ordering Menu

PX05	P	-	X	X	S	-	X	X	X	-	BXX
Model Series	Center Section Material		Fluid Connection	Fluid Caps/ Manifold Material	Hardware Material		Seat Material	Ball Material	Diaphragm Material		Specialty Code
PD05 Standard PE05 Remote Actuation Capable	P Polypropylene		A 1/2" NPT B 1/2" BSP	D Groundable Acetal (single port) E Groundable Acetal (multiple port) K PVDF (single port) L PVDF (multiple port) P Polypropylene (single port) R Polypropylene (multiple port)	S Stainless Steel		D Acetal K PVDF P Polypropylene S Stainless Steel	A Santoprene C Hytrel† G Nitrile S Stainless Steel T PTFE U Polyurethane V Viton	A Santoprene C Hytrel† G Nitrile T PTFE/Santoprene U Polyurethane V Viton		B Standard B0S Remote Actuation Capable**

† Hytrel replaces Buna, Geolast, Polyurethane and Nitrile producing superior chemical compatibility and diaphragm life

Accessories* (for specialty pump application options and additional accessories see pages 40-45)

Air Line Connection Kit| Kit No. 66073-1

Kit includes Piggyback Filter/Regulator with gauge, pipe nipple and a 5-foot section of air hose.

Service Repair Kits| Kit No. 637428 (air motor for PX05P)

Kit No. 637427-XX (fluid section)

Muffler Kit| Kit No. 637438 (ported exhaust)

Wall Mount Kit| 76763

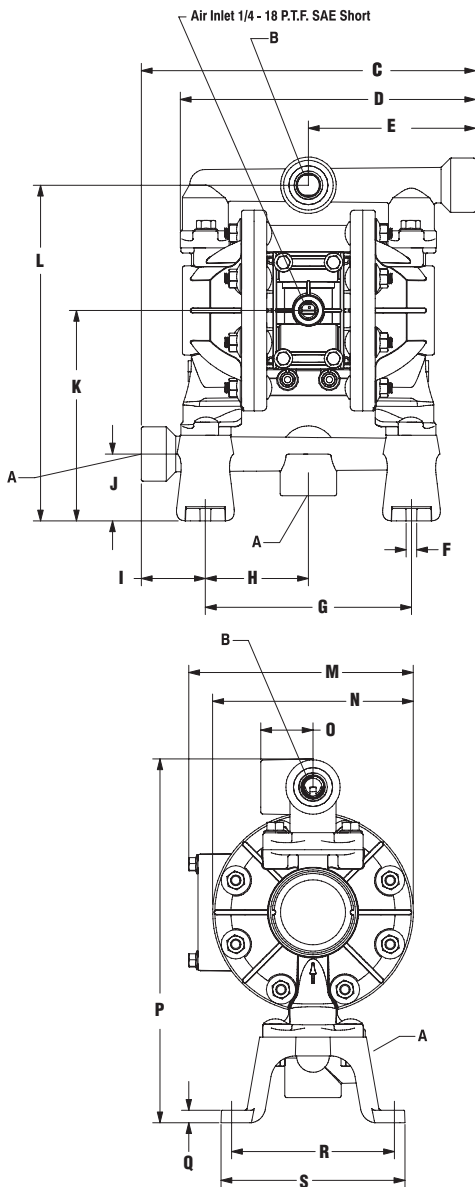
*Please note pumps are not included with these kits.

**See options on page 48.



Air Line Connection Kit 66073-1

1/2" Non-Metallic Dimensions and Flow Curves OEM / Transfer Pumps

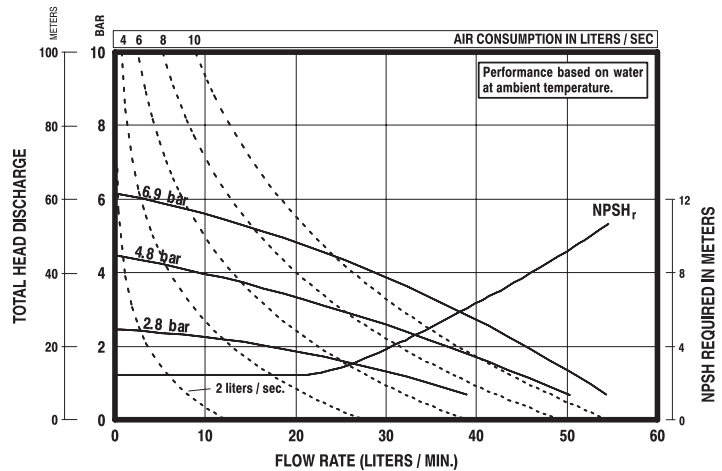
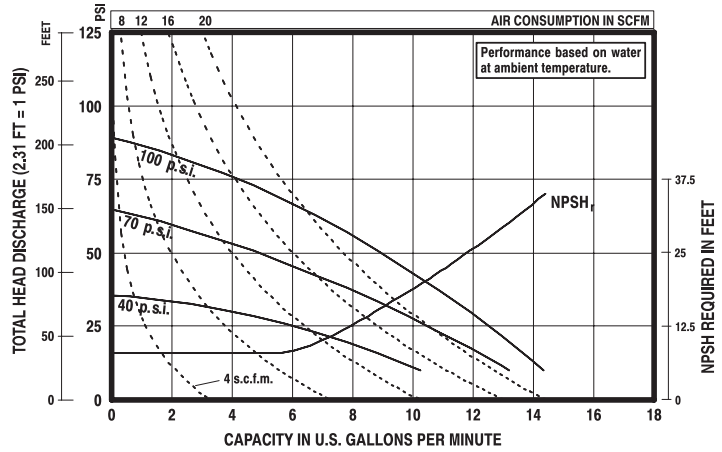


Pump Model	"A" Material Inlet
PD05P- AXS -XXX-B	1/2 - 14 NPTF-1
Pump Model	"B" Material Outlet
PD05P- AXS -XXX-B	1/2 - 14 NPTF-1
Pump Model	"A" Material Inlet
PD05P- BXS -XXX-B	Rp 1/2 (1/2 - 14 BSP, parallel)
Pump Model	"B" Material Outlet
PD05P- BXS -XXX-B	Rp 1/2 (1/2 - 14 BSP, parallel)

DIMENSIONS

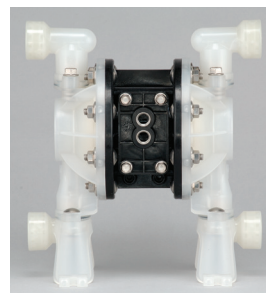
C - 10" (254.0 mm)	I - 1-59/64" (48.8 mm)	O - 1-9/16" (39.7 mm)
D - 8-27/32" (224.3 mm)	J - 2" (50.8 mm)	P - 10-7/8" (275.7 mm)
E - 5" (127.0 mm)	K - 6-5/16" (159.9 mm)	Q - 3/8" (9.5 mm)
F - 5/16" (8.0 mm)	L - 10-1/16" (255.0 mm)	R - 4-7/8" (123.8 mm)
G - 6.164" (156.6 mm)	M - 6-23/32" (170.6 mm)	S - 5-1/2" (139.7 mm)
H - 3-3/32" (78.3 mm)	N - 6" (152.4 mm)	

PD05P-XXS-XXX 1/2" NON-METALLIC DIAPHRAGM PUMPS



Refer to www.ingersollrandproducts.com for full size flow curves.

For additional information contact technical support at 1.800.483.4981



PE05P-APS-PAA-B0S with 637440-1 kit

Dual Inlet/Outlet Kits

- 637440-1 (NPT Poly)
- 637440-4 (BSP Poly)
- 637440-2 (NPT Acetal)
- 637440-5 (BSP Acetal)
- 637440-3 (NPT PVDF)
- 637440-6 (BSP PVDF)

Note: For dual inlet / outlet configuration, first order a standard pump, then select the appropriate dual inlet/outlet kit. Upon receipt of pump, replace the original inlet and outlet manifolds with the dual inlet/outlet kit.

For example: PD05P-ARS-PSS-B (standard pump)
637440-1 (dual inlet/outlet kit)

NON-METALLIC