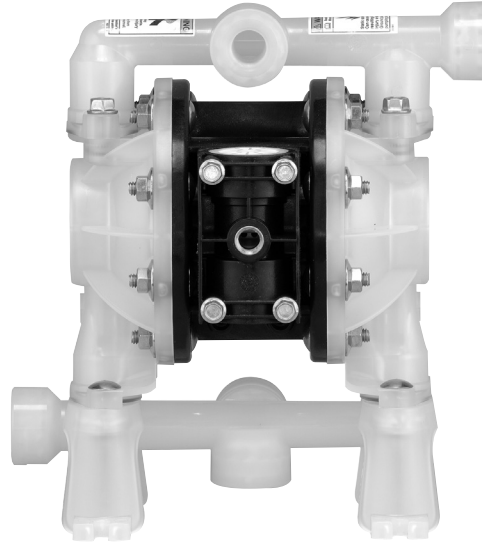


# 1/2" Non-Metallic Models Pro-Series Pumps

## 1/2" Non-Metallic Performance Specifications

|                             |                                |           |
|-----------------------------|--------------------------------|-----------|
| Ratio:                      | 1:1                            |           |
| Maximum Flow:               | 14.4-g.p.m. (54.5-l.p.m.)      |           |
| Displacement per cycle:     | .039-Gallons (.15-Liters)      |           |
| Air Inlet: (Female)         | 1/4 - 18 P.T.F. SAE Short      |           |
| Fluid Inlet:                | 1/2 - 14 N.P.T.F. - 1          |           |
|                             | Rp 1/2 (1/2 -14 BSP, parallel) |           |
| Fluid Outlet:               | 1/2 - 14 N.P.T.F. - 1          |           |
|                             | Rp 1/2 (1/2 -14 BSP, parallel) |           |
| Max. operating pressure:    | 100-psi (6.8-bar)              |           |
| Suspended solids max. dia.: | 3/32" (2.4-mm)                 |           |
| Weight: lbs (kg)            | PD05P-XDS-XXX-B                | 6.3 (2.9) |
|                             | PD05P-XES-XXX-B                | 6.7 (3.0) |
|                             | PD05P-XKS-XXX-B                | 6.8 (3.1) |
|                             | PD05P-XLS-XXX-B                | 7.2 (3.3) |
|                             | PD05P-XPS-XXX-B                | 5.2 (2.4) |
|                             | PD05P-XRS-XXX-B                | 5.4 (2.5) |

Maximum dry suction lift: ft (m) 15.0 (4.5)



## Ordering Menu

|  |                                |          |                             |  |                          |          |  |  |  |          |  |
|--|--------------------------------|----------|-----------------------------|--|--------------------------|----------|--|--|--|----------|--|
| <b>PX05</b>                              | <b>P</b>                       | <b>-</b> | <b>X</b>                    | <b>X</b>   | <b>S</b>                 | <b>-</b> | <b>X</b>   | <b>X</b>   | <b>X</b>   | <b>-</b> | <b>BXX</b>                                   |
| <b>Model Series</b>                      | <b>Center Section Material</b> |          | <b>Fluid Connection</b>     | <b>Fluid Caps/ Manifold Material</b>   | <b>Hardware Material</b> |          | <b>Seat Material</b>                                       | <b>Ball Material</b>   | <b>Diaphragm Material</b>  |          | <b>Specialty Code</b>                        |
| D Standard<br>E Remote Actuation Capable | P Polypropylene                |          | A 1/2" N.P.T.<br>B 1/2" BSP | D Groundable Acetal (single port)<br>E Groundable Acetal (multiple port)<br>K PVDF (single port)<br>L PVDF (multiple port)<br>P Polypropylene (single port)<br>R Polypropylene (multiple port) | S Stainless Steel        |          | D Acetal<br>K PVDF<br>P Polypropylene<br>S Stainless Steel | A Santoprene<br>C Hytrel*<br>G Nitrile<br>S Stainless Steel<br>T PTFE<br>U Polyurethane<br>V Viton | A Santoprene<br>C Hytrel*<br>G Nitrile<br>T PTFE/Santoprene<br>U Polyurethane<br>V Viton |          | B Standard<br>B0S Remote Actuation Capable** |

\* Hytrel replaces Nitrile producing superior chemical compatibility and diaphragm life

## Accessories

### Air Line Connection Kit\* | Kit No. 66073-1

Kit includes Piggyback Filter/Regulator with gauge, pipe nipple and a 5-foot section of air hose.

Exhaust Threaded Muffler Kit | Kit No. 637438

Service Repair Kits | Kit No. 637428 (air section)

Kit No. 637427-XX (fluid section)

Wall Mount | 76763

\*Please note pumps are not included with these kits.

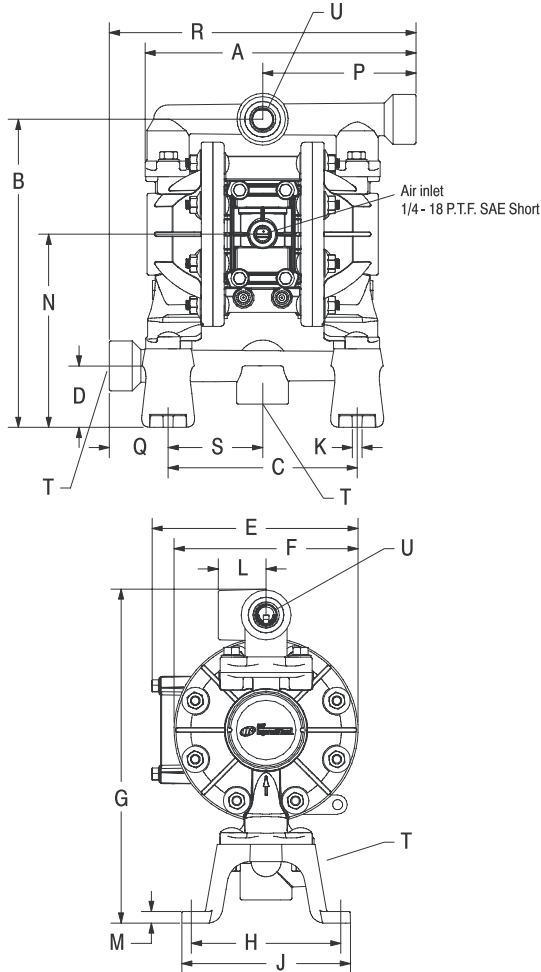
\*\* See options on page 51



Air Line Connection Kit  
66073-1

# 1/2" Non-Metallic Dimensions and Flow Curves

## 1/2" Non-Metallic Dimensions and Flow Charts

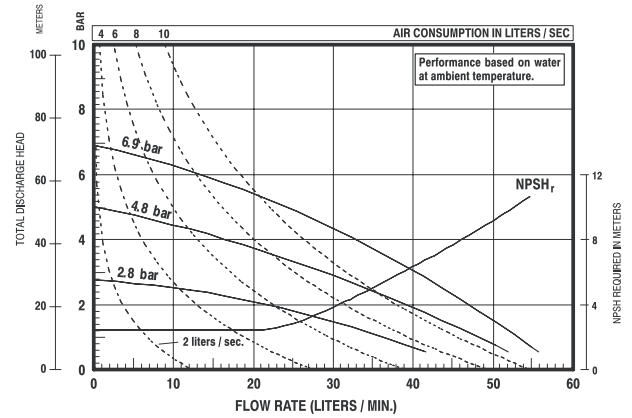
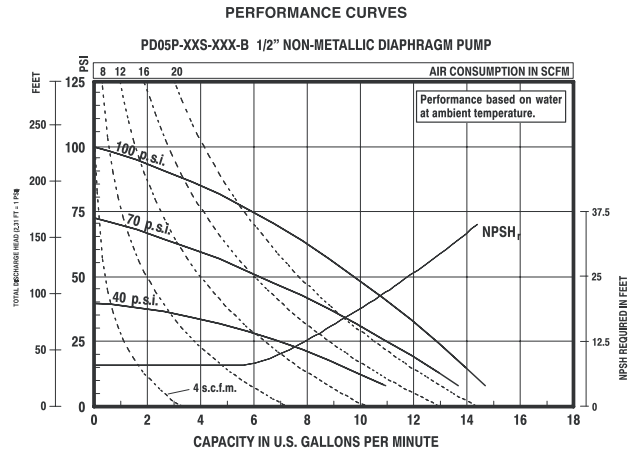


### DIMENSIONS

|                       |                      |                      |
|-----------------------|----------------------|----------------------|
| A 8-27/32" (224.3 mm) | G 10-7/8" (275.7 mm) | N 6-5/16" (159.9 mm) |
| B 10-1/16" (255.0 mm) | H 4-7/8" (123.8 mm)  | P 5" (127.0 mm)      |
| C 6.164" (156.6 mm)   | J 5-1/2" (139.7 mm)  | Q 1-59/64" (48.8 mm) |
| D 2" (50.8 mm)        | K 5/16" (8.0 mm)     | R 10" (254.0 mm)     |
| E 6-23/32" (170.6 mm) | L 1-9/16" (39.7 mm)  | S 3-3/32" (78.3 mm)  |
| F 6" (152.4 mm)       | M 3/8" (9.5 mm)      |                      |

| Model           | "T" Material Inlet    | "U" Material Outlet   |
|-----------------|-----------------------|-----------------------|
| PD05P-AXS-XXX-B | 1/2 - 14 N.P.T.F. - 1 | 1/2 - 14 N.P.T.F. - 1 |
| PD05P-BXS-XXX-B | Rp 1/2 (1/2 - 14 BSP) | Rp 1/2 (1/2 - 14 BSP) |

NOTE: Dimensions are shown in inches and (mm), supplied for reference only and are typically rounded up to the nearest 1/16 inch.



Refer to [www.ingersollrandproducts.com](http://www.ingersollrandproducts.com) for full size flow curves.

For additional information contact technical support at 1.800.483.4981



PE05P-APS-PAA-B0S  
with 637440-1 Kit

### Dual Inlet/Outlet Kits:

- 637440-1 (N.P.T. Poly)
- 637440-4 (BSP Poly)
- 637440-2 (N.P.T. Acetal)
- 637440-5 (BSP Acetal)
- 637440-3 (N.P.T. PVDF)
- 637440-6 (BSP PVDF)

NON-METALLIC