

1/2" Metallic Models Pro-Series Pumps

1/2" Metallic Performance Specifications

Ratio:	1:1		
Maximum Flow:	12.0-g.p.m. (45.4-l.p.m.)		
Displacement per cycle:	0.039-Gallons (0.15-Liters)		
Air Inlet: (Female)	1/4 - 18 P.T.F. SAE Short (PD05R-X-X-B models)		
	1/4 - 18 N.P.T.F. - 1 (PD05A-X-X-B models)		
Fluid Inlet:	1/2 - 14 N.P.T.F. - 1		
	Rp 1/2 (1/2 - 14 BSP, parallel)		
Fluid Outlet:	1/2 - 14 N.P.T.F. - 1		
	Rp 1/2 (1/2 - 14 BSP, parallel)		
Max. operating pressure:	100-psi (6.9-bar)		
Suspended solids max. dia.:	3/32-in. (2.4-mm)		
Weight: lbs (kg)			
	PD05A-XAS-XXX-B	10.4 (4.7)	
	PD05A-XSS-XXX-B	16.6 (7.5)	
	PD05R-XAS-XXX-B	8.0 (3.7)	
	PD05R-XSS-XXX-B	14.3 (6.5)	

Maximum dry suction lift: ft (m) 15 (4.5)



Ordering Menu

PX05	X	-	X	X	S	-	X	X	X	-	BXX
Model Series	Center Section Material		Fluid Connection	Fluid Caps/Manifold Material	Hardware Material		Seat Material	Ball Material	Diaphragm Material		Specialty Code
D Standard E Remote Actuation Capable	A Aluminum R Polypropylene		A 1/2" N.P.T. B 1/2" BSP	A Aluminum S Stainless Steel	S Stainless Steel		F Aluminum P Polypropylene S Stainless Steel	A Santoprene C Hytrel G Nitrile S Stainless Steel T PTFE U Polyurethane V Viton	A Santoprene C Hytrel G Nitrile T PTFE/Santoprene V Viton		B Standard B0S Remote Actuation Capable**

Accessories

Air Line Connection Kit* | Kit No. 66073-1

Kit includes Piggyback Filter/Regulator with gauge, pipe nipple and a 5-foot section of air hose.

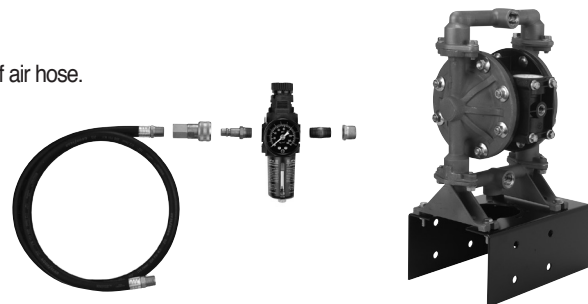
Exhaust Threaded Muffler Kit | Kit No. 637438

Service Repair Kits | Kit No. 637428 (air section)
Kit No. 637427-XX (fluid section)

Wall Mount | 76763

* Please note pumps are not included with these kits.

** See options on page 51

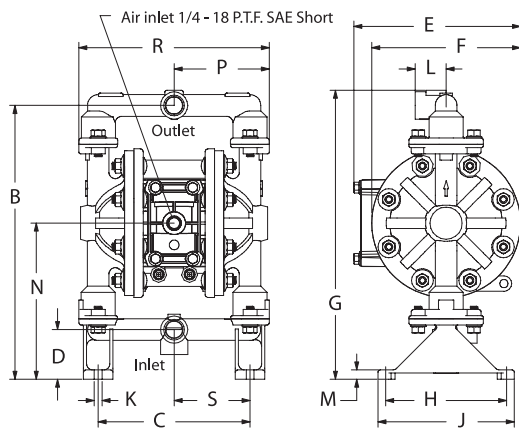
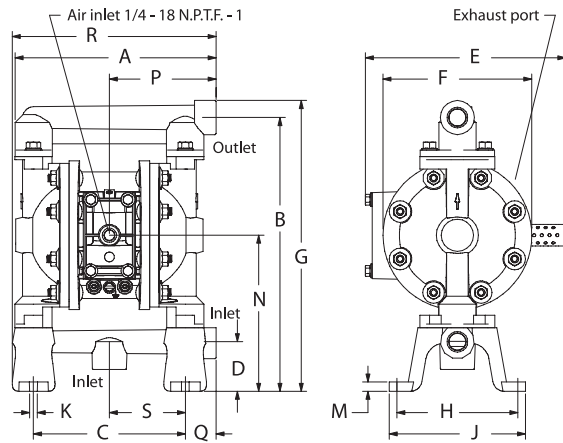


Air Line Connection Kit
66073-1

Wall Mount
76763

1/2" Metallic Dimensions and Flow Curves Pro-Series Pumps

1/2" Metallic Dimensions and Flow Charts

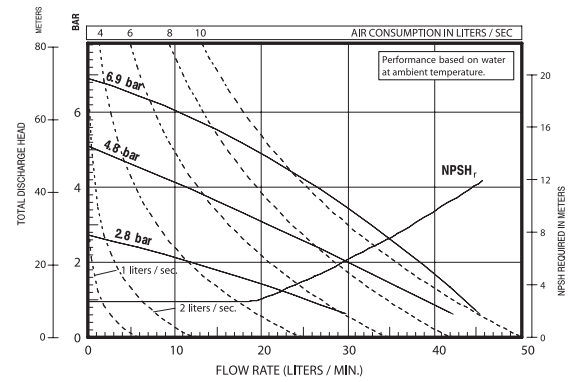
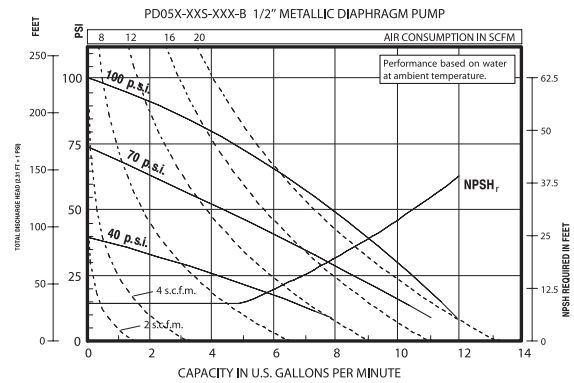


DIMENSIONS

A 8-1/8" (206.0 mm)	G see below	N 6-5/16" (159.9 mm)
B 11-1/16" (280.4 mm)	H 4-7/8" (123.8 mm)	P see below
C 6-1/8" (155.6 mm)	J 5-1/2" (139.7 mm)	Q 1-1/4" (31.6 mm)
D 2" (50.8 mm)	K 5/16" (8.0 mm)	R see below
E see below	L 1-1/4" (31.8 mm)	S 3-1/16" (77.8 mm)
F 6" (152.4 mm)	M 3/8" (9.5 mm)	

Dimension	PD05A-XXS-XXX-B	PD05R-XXS-XXX-B
"E"	8-3/32" (205.5 mm)	6-23/32" (170.6 mm)
"G"	11-3/4" (297.9 mm)	11-21/32" (296.0 mm)
"P"	4-5/16" (109.3 mm)	3-27/32" (97.4 mm)
"R"	8-7/32" (208.5 mm)	7-11/16" (194.9 mm)

NOTE: Dimensions are shown in inches and (mm), supplied for reference only and are typically rounded up to the nearest 1/16 inch.



Refer to www.ingersollrandproducts.com for full size flow curves.

For additional information contact technical support at 1.800.483.4981

METALLIC