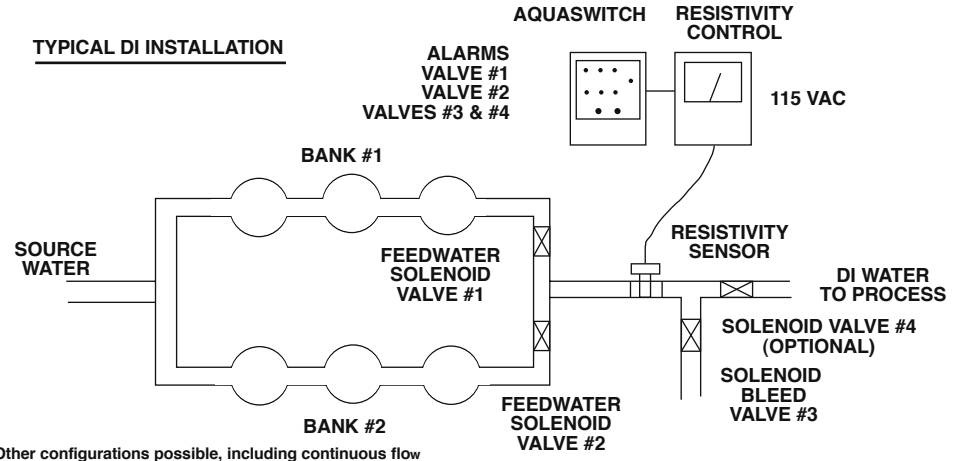


AQUASWITCH I™

Fully Automatic DI/RO Bank Switching System



FEATURES:

- **Automatically switches from exhausted to fresh DI/RO bank**
- **Push-button override for immediate bank change-over**
- **Adjustable purge timer for “fail-safe” operation**
- **LEDs continually give status on both DI/RO banks**
- **Alarm output activated as each bank is depleted**
- **IP65/NEMA 4X splash & corrosion proof enclosure**

WHAT IT DOES:

The AQUASWITCH I™ is a special purpose dedicated computer which automatically “changes out” an exhausted DI or RO bank for a fresh stand-by bank. LEDs continually give the condition of both banks. An alarm output is activated as each bank is depleted.

HOW IT WORKS:

When the monitor/controller senses poor quality water because the DI or RO system has been shut down temporarily, the AQUASWITCH I purges the “on-stream” bank until water quality recovers. If the DI or RO bed bank is exhausted, however, water quality will not improve sufficiently after purging. The AQUASWITCH I will then automatically take the exhausted bed or tank out of service and switch over to the stand-by bank. The fresh bank is purged until the desired quality level is reached: it then goes into service. The purge cycle is controlled by a timer that is easily adjustable for periods from 1-10 minute duration. This feature allows the system to be tailored to the requirements of each application, and ensures banks are not switched or shut down prematurely. A “manual change over” button can be depressed to switch banks at any time.

The AQUASWITCH I features advanced circuitry, including three solid state (not mechanical) relays to reliably operate the solenoid valves. Three or four solenoid valves suitable for ultrapure water (not supplied) are needed to make a complete AQUASWITCH I system.

The AQUASWITCH I does not monitor water quality itself, but may be used with any reliable Resistivity or Conductivity Monitor/controller such as the Myron L 750 Series II.

You can rely on Myron L to provide accurate, reliable, & simple to use instrumentation.

For more information, please visit our website. www.myronl.com

MYRON L COMPANY
 Water Quality Instrumentation
 Accuracy • Reliability • Simplicity

AQUASWITCH I Specifications

Input Power	115/230 VAC, 50/60 Hz \pm 15% (user selectable to 230 VAC)
Output Power to Valves	User Determined
Maximum load per valve output	200 milliamps (5 watts for a 24V valve) (25 watts for a 115V valve) (50 watts for a 230V valve)
Alarm contact	SPDT 10 amp @ 250 VAC, 30 VDC
Maximum Power Consumption	@ 115 V: 100 mA
Dimensions	152 H x 122 W x 96 D mm / 6 H x 4.8 W x 3.8 D in.
Construction	Fully gasketed heavy-duty ABS case; water resistant and corrosion proof IP65/NEMA 4X rated
Ambient Temperature Range	0° to 60°C / 32° to 140°F
Shipping Weight	1,4 kg/3 lbs.

LIMITED WARRANTY

The Myron L AQUASWITCH I fully automatic DI/RO bank system has a Two (2) Year Limited Warranty. If any controller fails to function normally, return the unit to the factory prepaid. If, in the opinion of the factory, failure was due to materials or workmanship, repair or replacement will be made without charge.

A reasonable service charge will be made for diagnosis or repairs due to normal wear, abuse or tampering. Warranty is limited to the repair or replacement of controller or sensor only. The Myron L Company assumes no other responsibility or liability.

Legacy Pumps & Instruments, LLC
PO Box 426
Mineral Wells, TX 76068-0426
214-384-5303 -or- 817-793-0485

