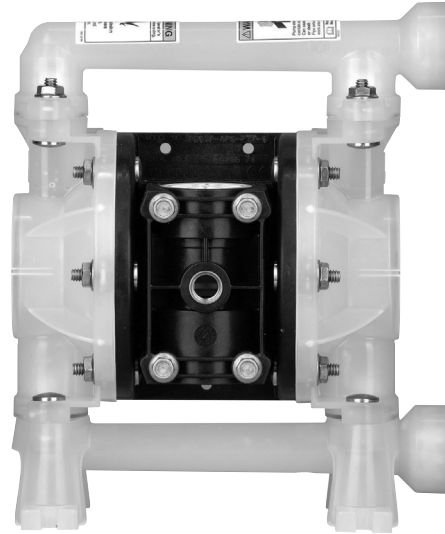


3/8" Non-Metallic Models Pro-Series Pumps

3/8" Non-Metallic Performance Specifications

Ratio:	1:1	
Maximum Flow:	10.6-g.p.m. (40.1-l.p.m.)	8.7 (32.9) Flex check
Displacement per cycle:	0.022-Gallons (0.083-Liters)	.013 (0.068) Flex check
Air Inlet: (Female)	1/4 - 18 P.T.F. SAE Short	
Fluid Inlet:	3/8 - 18 N.P.T.F. - 1	
	Rp 3/8 (3/8 - 19 BSP, parallel)	
Fluid Outlet:	3/8 - 18 N.P.T.F. - 1	
	Rp 3/8 (3/8 - 19 BSP, parallel)	
Max. operating pressure:	100-psi (6.9-bar)	
Suspended solids max. dia.:	1/16-in. (1.6-mm)	Flex check (Fibers)
Weight: lbs (kg)		
	PD03P-XDS-XXX	4.2 (1.9)
	PD03P-XES-XXX	4.3 (1.9)
	PD03P-XKS-XXX	4.5 (2.0)
	PD03P-XLS-XXX	4.6 (2.1)
	PD03P-XPS-XXX	3.4 (1.6)
	PD03P-XRS-XXX	3.5 (1.6)



Maximum dry suction lift: ft (m) 9.25 (2.8)

Ordering Menu

PX03	P	-	X	X	S	-	X	X	X	-	XXX
Model Series	Center Section Material	Fluid Connection	Fluid Caps/Manifold Material	Hardware Material	Seat Material	Ball Material	Diaphragm Material				
D Standard E Remote Actuation Capable	P Polypropylene	A 3/8" N.P.T. B 3/8" BSP	D Groundable Acetal (single port) E Groundable Acetal (multiple port) K PVDF (single port) L PVDF (multiple port) P Polypropylene (single port) R Polypropylene (multiple port)	S Stainless Steel	D Acetal K PVDF P Polypropylene S Stainless Steel O Flex check	A Santoprene® C Hytrel® I Nitrile* N Neoprene* S Stainless Steel T PTFE V Viton® * Flex check models.	A Santoprene C Hytrel T PTFE /Santoprene V Viton	- No Extension, Standard - BOS Remote Actuation Capable**			

Accessories

Air Line Connection Kit* | Kit No. 66073-1

Kit includes Piggyback Filter/Regulator with gauge, pipe nipple and a 5-foot section of air hose.

Exhaust Threaded Muffler Kit | Kit No. 637438 3/8" NPT

Wall Mount Bracket Kit | Kit No. 67388

Service Repair Kits | Kit No. 637428 (air section)

Kit No. 637429-XX (fluid section)

*Please note pumps are not included with these kits.

** See options on page 51

Hytrel® and Viton® are registered trademarks of the DuPont company.
Santoprene® is a registered trademark of Monsanto Company, licensed to Advanced Elastomer Systems, L.P.



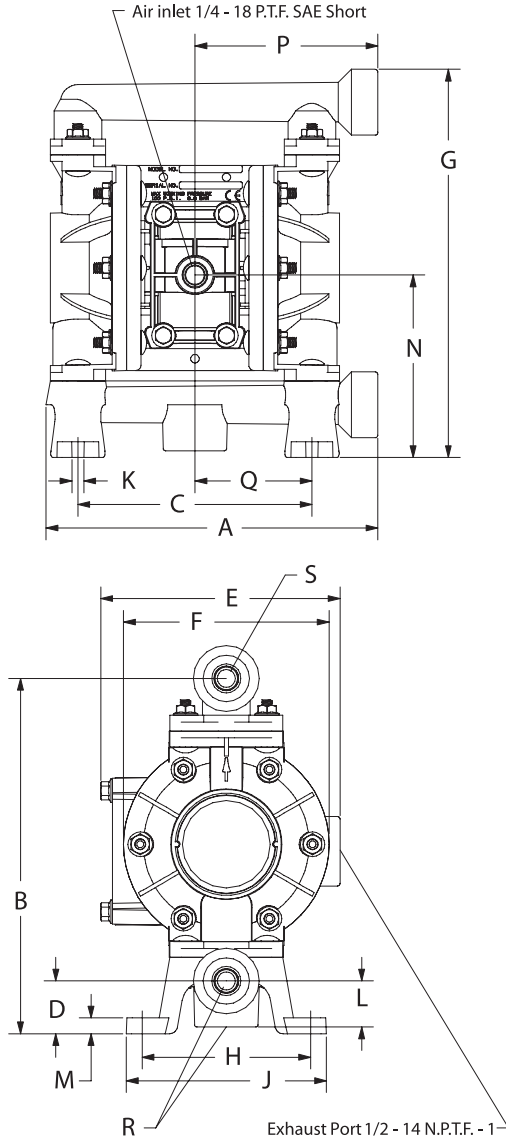
Air Line Connection Kit
66073-1



Wall Mount Bracket Kit
67388

3/8" Non-Metallic Dimensions and Flow Curves Pro-Series Pumps

3/8" Non-Metallic Dimensions and Flow Charts

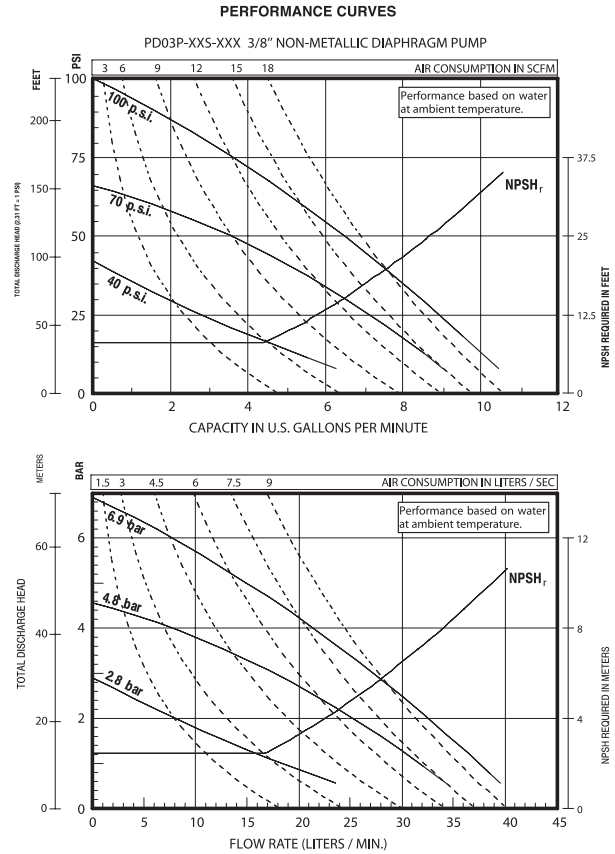


DIMENSIONS

A	7-29/32" (200.2 mm)	F	4-7/8" (123.9 mm)	L	1-3/32" (27.8 mm)
B	8-7/16" (214.3 mm)	G	9-7/32" (234.2 mm)	M	3/8" (9.5 mm)
C	5-9/16" (141.3 mm)	H	4" (101.6 mm)	N	4-11/32" (110.1 mm)
D	1-1/4" (31.8 mm)	J	4-3/4" (120.7 mm)	P	4-11/32" (110.3 mm)
E	5-23/32" (145.2 mm)	K	9/32" (7.1 mm)	Q	2-25/32" (70.6 mm)

Model	"R" Material Inlet	"S" Material Outlet
PD03P-AXS-XXX	3/8 - 18 N.P.T.F. - 1	3/8 - 18 N.P.T.F. - 1
PD03P-BXS-XXX	Rp 3/8 (3/8 - 19 BSP)	Rp 3/8 (3/8 - 19 BSP)

NOTE: Dimensions are shown in inches and (mm), supplied for reference only and are typically rounded up to the nearest 1/16 inch.



Refer to www.ingersollrandproducts.com for full size flow curves.

For additional information contact technical support at 1.800.483.4981



PE03P-APS-PAA-B0S
with 637442-1 Kit

Dual Inlet/Outlet Kits:

- 637442-1 (N.P.T. Poly)
- 637442-4 (BSP Poly)
- 637442-3 (N.P.T. PVDF)
- 637442-6 (BSP PVDF)
- 637442-2 (N.P.T. Acetal)
- 637442-5 (BSP Acetal)