

# 1" Non-Metallic Models Pro-Series Pumps

## 1" Non-Metallic Performance Specifications

Ratio:	1:1
Maximum Flow:	47-g.p.m. (177.9-l.p.m.)
Displacement per cycle:	0.17-Gallons (0.64-Liters)
Air Inlet: (Female)	1/4 - 18 N.P.T.
Fluid Inlet:	1 - 11-1/2 N.P.T.F. - 1 Rp 1 (1 - 11 BSP, parallel) 1" ANSI/DIN Flange
Fluid Outlet:	1 - 11-1/2 N.P.T.F. - 1 Rp 1 (1 - 11 BSP, parallel) 1" ANSI/DIN Flange
Max. operating pressure:	120-psi (8.3-bar)
Suspended solids max. dia.:	1/8-inch (3.2-mm)
Weight: lbs (kg)	
	6661A3-, 1AE-, 1AJ-, 1AL- 20.3 (9.2)
	6661B3-, 1BE-, 1BJ-, 1BL- 28.8 (13.1)
Maximum dry suction lift:	ft (m) 15 (4.6)



## Ordering Menu

6661X	X	-	X	X	X	-	C
<b>Center Body</b>	<b>Fluid Caps/ Manifold Material</b>		<b>Seat Material</b>	<b>Ball Check Material</b>	<b>Diaphragm Material</b>		
A Aluminum	3 Polypropylene Flange (3-piece manifold)	2 316 Stainless Steel	3 Viton	3 Viton			
B Cast Iron	F Polypropylene Flange (one-piece manifold)	3 Polypropylene	4 PTFE	4 PTFE / Santoprene			
	J Polypropylene N.P.T. threads (one piece manifold)	8 Hard 400 Stainless Steel	8 Polyurethane	8 Polyurethane			
	L Polypropylene BSP threads (one-piece manifold)		A 316 Stainless Steel	9 Hytrel			
			C Hytrel	B Santoprene			
			E Santoprene	G Nitrile			
			G Nitrile				

## Accessories

### Air Line Connection Kit\* | Kit No. 66073-2

Kit includes Piggyback Filter/Regulator with gauge, pipe nipple and a 5-foot section of air hose.

Service Repair Kits | Kit No. 637118-C (air section)

Kit No. 637161-XX-C (fluid section)

Flange Connection Kit | Kit No. 67078 (for 1" Non-Metallic Pumps)

For pumps with inlet/outlet flange manifolds. Kit meets ANSI specifications. Flange constructed of glass-filled polypropylene. Bolts, washers and nuts are stainless steel. Gasket is 4401 Klinger synthetic fiber nitrile binder.

\*Please note pumps are not included with these kits.



Air Line Connection Kit  
66073-2

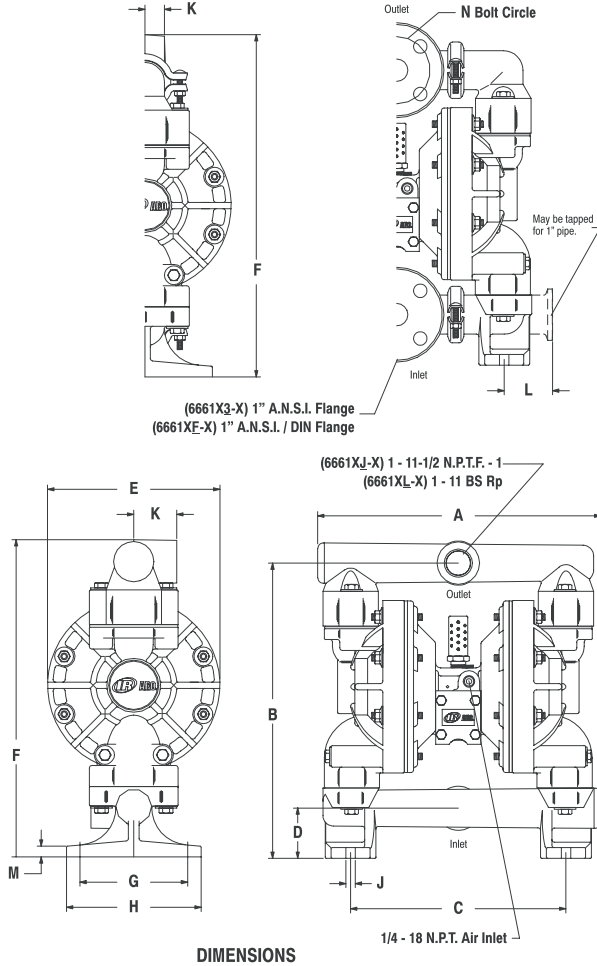


Flange Connection Kit  
67078

# 1" Non-Metallic Dimensions and Flow Curves Pro-Series Pumps

## DIMENSIONAL DATA

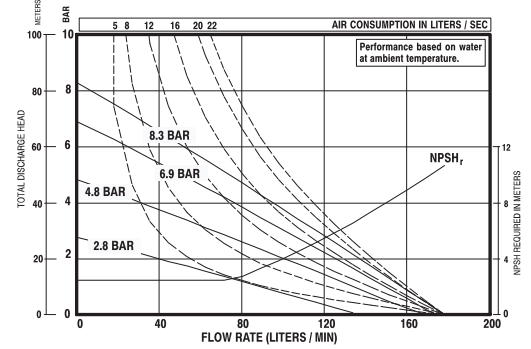
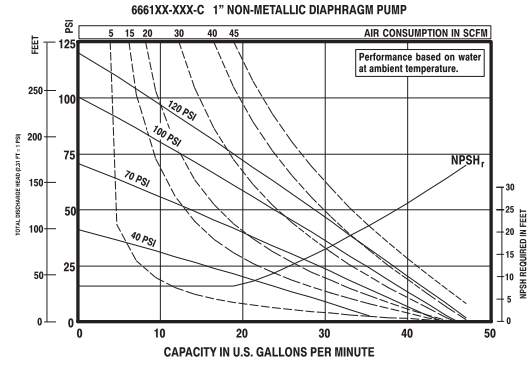
Dimensions shown are for reference only, they are shown in inches and millimeters (mm).



DIMENSIONS

	6661XJ-X	6661XL-X
A	12-21/32" (321 mm)	13-5/32" (334 mm)
B	13-25/32" (349 mm)	13-25/32" (350 mm)
C	10-1/16" (255 mm)	10-1/16" (255 mm)
D	2-3/8" (60 mm)	2-11/32" (59 mm)
E	8-1/16" (204 mm)	8-1/16" (204 mm)
F	16" (406 mm)	14-13/16" (376 mm)
G	5-1/32" (128 mm)	5-1/32" (128 mm)
H	6-9/32" (160 mm)	6-9/32" (160 mm)
J	7/16" (11 mm)	7/16" (11 mm)
K	15/16" (23 mm)	2" (51 mm)
L	2-9/32" (57 mm)	
M	1/2" (13 mm)	1/2" (13 mm)
N	3.140" (80 mm)	
	6661XK-X	6661XN-X
	6661XF-X	
A	13-5/32" (334 mm)	
B	13-25/32" (350 mm)	
C	10-1/16" (255 mm)	
D	2-11/32" (59 mm)	
E	8-1/16" (204 mm)	
F	16" (406 mm)	
G	5-1/32" (128 mm)	
H	6-9/32" (160 mm)	
J	7/16" (11 mm)	
K	1-1/32" (26 mm)	
L		
M	1/2" (13 mm)	
N	3.140" (80 mm)	

## PERFORMANCE CURVES



Refer to [www.ingersollrandproducts.com](http://www.ingersollrandproducts.com) for full size flow curves.

For additional information contact  
technical support at 1.800.483.4981

NON-METALLIC